



P.O. Box 22326
Lincoln, NE 68542

PF: 402/421-9464 | WEBSITE: www.sitescapesonline.com
FX: 402/421-9479 | E-MAIL: info@sitescapesonline.com

INCH TOLERANCES U.O.S.

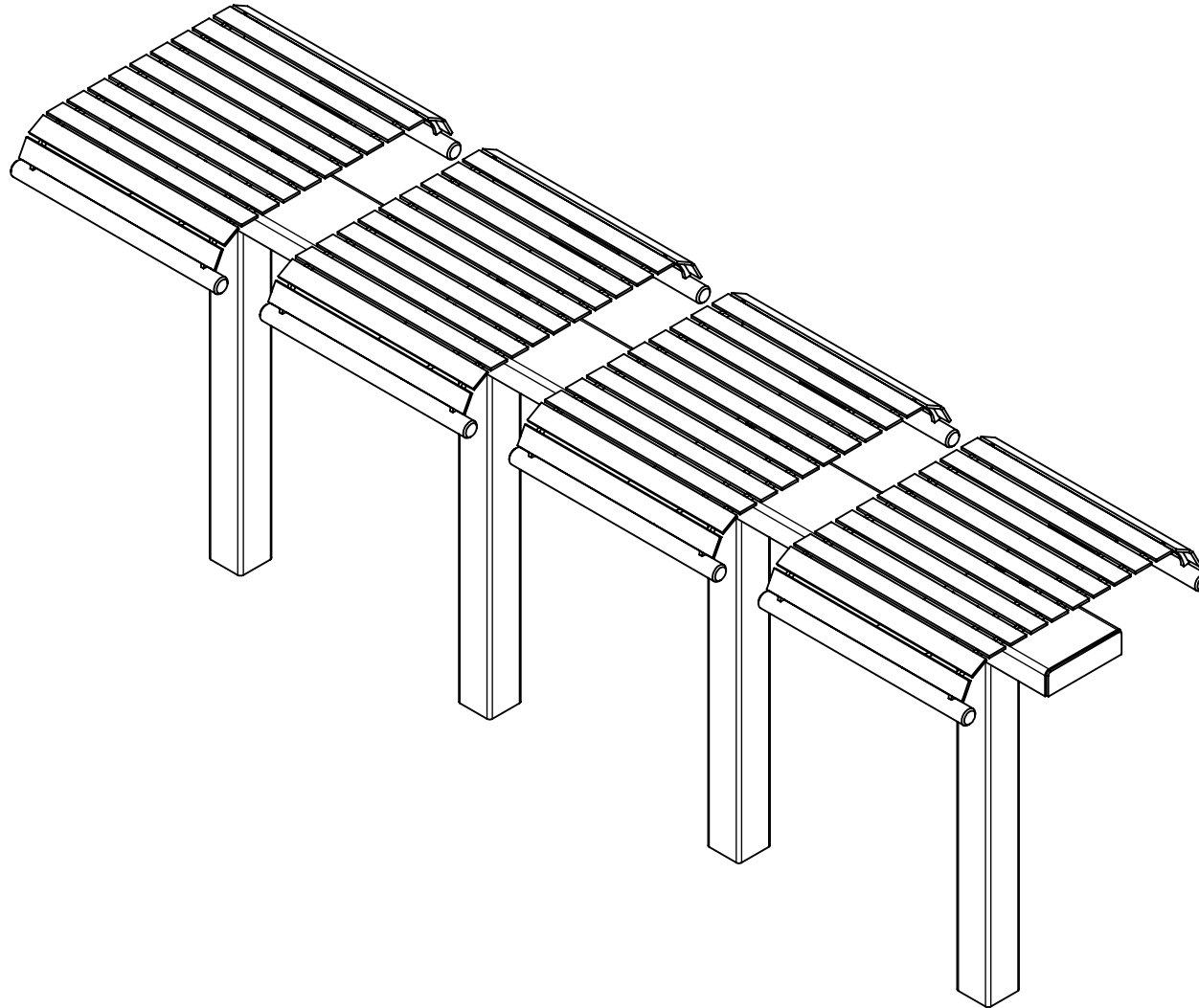
TITLE *CUSTOM MODULAR
STRANSIT BENCH*

PRODUCT NO.
SR1-2130

FRACTION-- $\pm 1/16$ "
ANG----- $\pm 1^\circ$

Property of SiteScapes, Inc 2014.
All rights reserved.

*Available in powder coat and DuraCoat finishes





P.O. Box 22326
Lincoln, NE 68542

PF: 402/421-9464 | WEBSITE: www.sitescapesonline.com
FX: 402/421-9479 | E-MAIL: info@sitescapesonline.com

INCH TOLERANCES U.O.S.

FRACTION-- $\pm 1/16$ "
ANG----- $\pm 1^\circ$

Property of SiteScapes, Inc 2014.
All rights reserved.

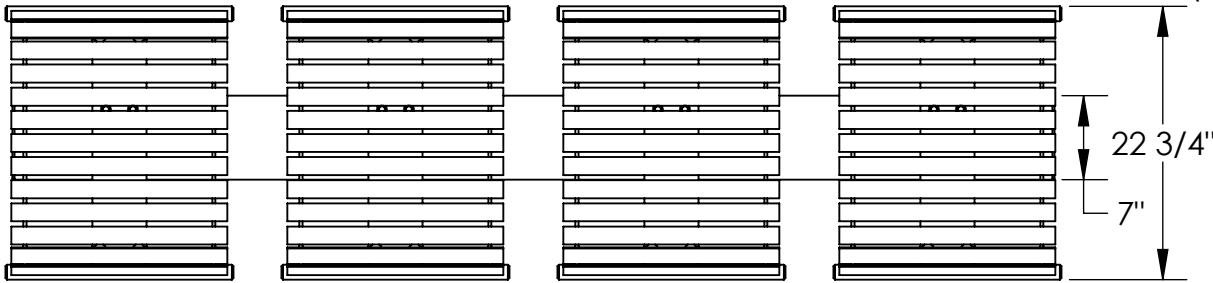
TITLE *CUSTOM MODULAR
STRANSIT BENCH*

PRODUCT NO.
SR1-2130

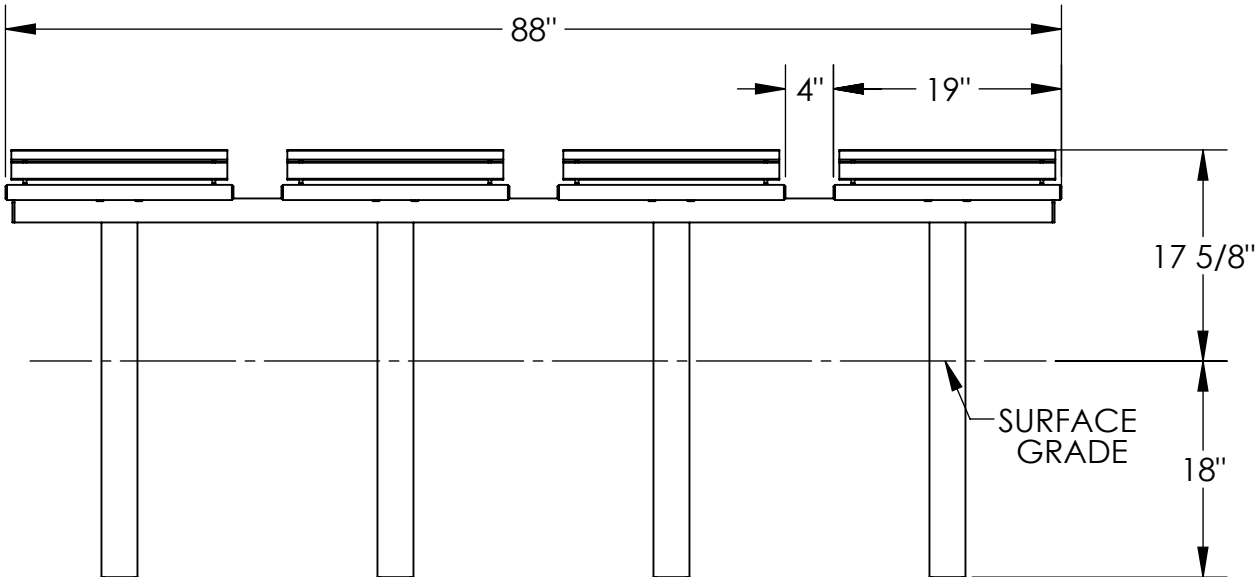
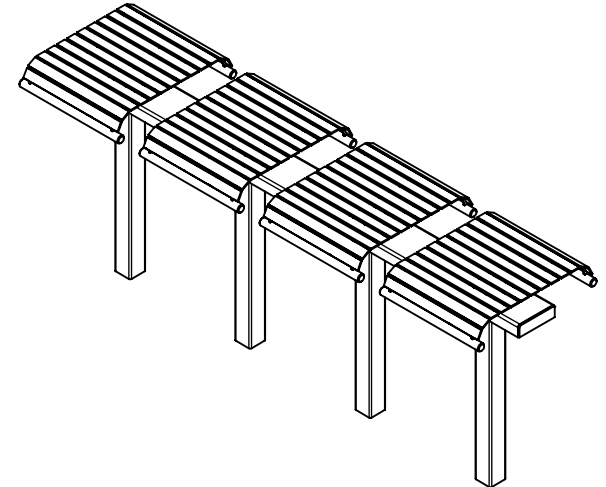
*Available in powder coat and DuraCoat finishes

MATERIALS LIST:

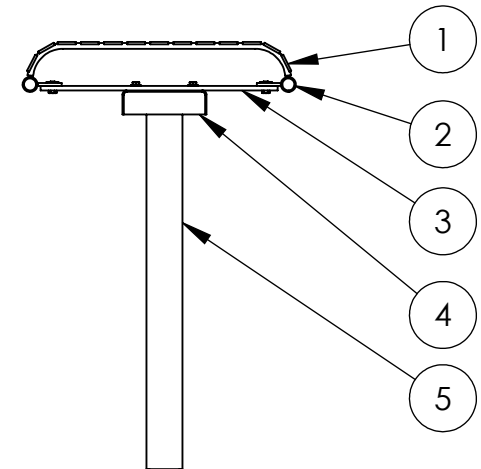
- (1) Seat Straps - 1/4" x 1 1/2" Steel Flat Bar
- (2) Support Pipes - ϕ 1.315" x .133" Steel Pipe
- (3) Support Strap - 3/8" x 4 1/2" Steel Plate
- (4) Support Channel - 7 Gauge Steel Plate
- (5) Support Tubes - 3" Sq. Steel Tubing



TOP VIEW



FRONT VIEW



RIGHT SIDE VIEW